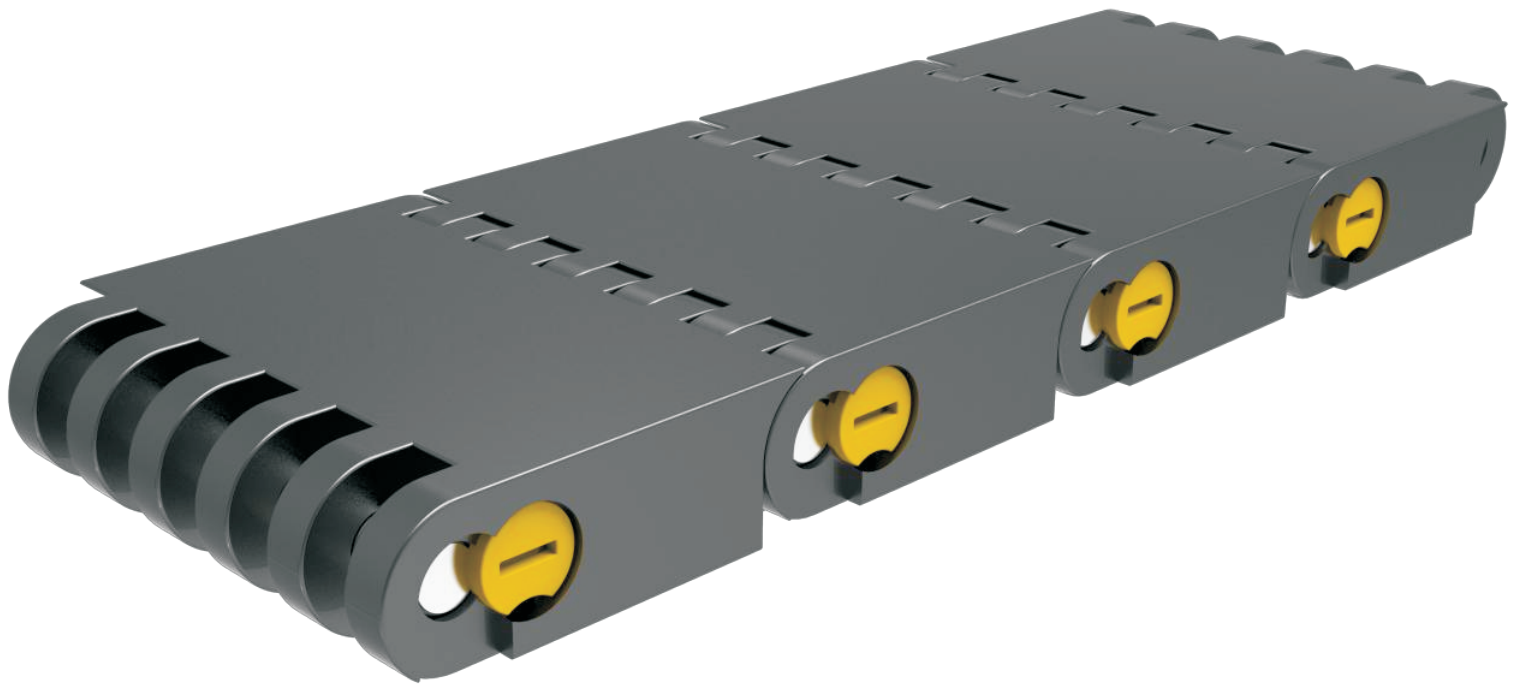


## HS-1800A-100 Technical Data Sheet



<p>Pitch: 63.5mm                  Minimum Width: 100mm                  Open Area: 0%                  Approved: FDA                  Rod: Ø 10mm                  Flight: No                  Side Guard: No                  Curve: No</p>	
--	--

## Data

Belt Material	Belt Strength			Temperature		Belt Weight (Kg/M <sup>2</sup> )
	Straight		Curve	°C (min.)	°C (max.)	
	Kg/M(BW)	N/M(BW)				
Acetal	10000	100000	--	-40	80	33.3
Acetal+AS	10000	100000	--	-40	85	33.3

**BW – Belt Width AS – Anti – Static**

## Color Table

Polypropylene					Polyethylene					Acetal					Nylon				
W	G	N	DB	B	W	G	N	DB	B	W	G	N	DB	BL	W	G	N	DB	B
										●				●					

W-White, G-Gray, N-Nature, DB-Dark brown, B-Blue

## Friction Table

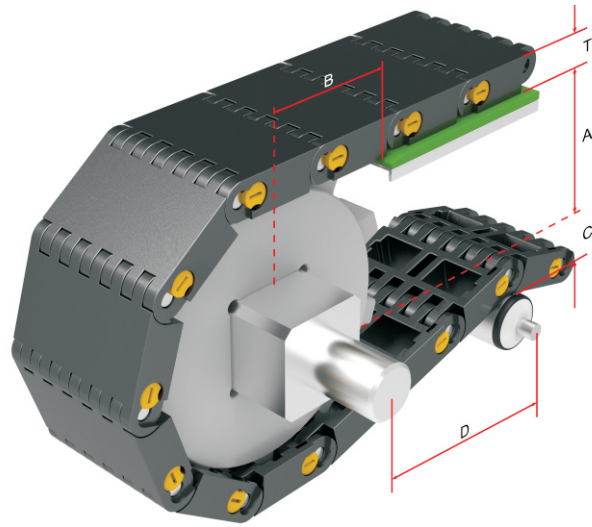
Belt Material	Friction Wear strips & Products							
	UHMW	HDPE	Steel	Glass	SUS	Plastic	Cardboard	Aluminum
Polypropylene	0.32	0.24	0.15	0.09	0.13	0.08	0.15	0.25
Polyethylene	0.13	0.11	0.26	0.19	0.31	0.16	0.21	0.41
Acetal	0.11	0.09	0.27	0.16	0.26	0.15	0.19	0.28
Nylon	0.18	0.13	0.25	0.16	0.26	0.16	0.19	0.27

SUS – Stainless Steel

## Equivalent type with other Brand

Brand Name	Intralox	UNI	Rexnord	MCC	Habasit	KVP
Series & Type	1800	XLB	2500		6300	
			3120		6400	

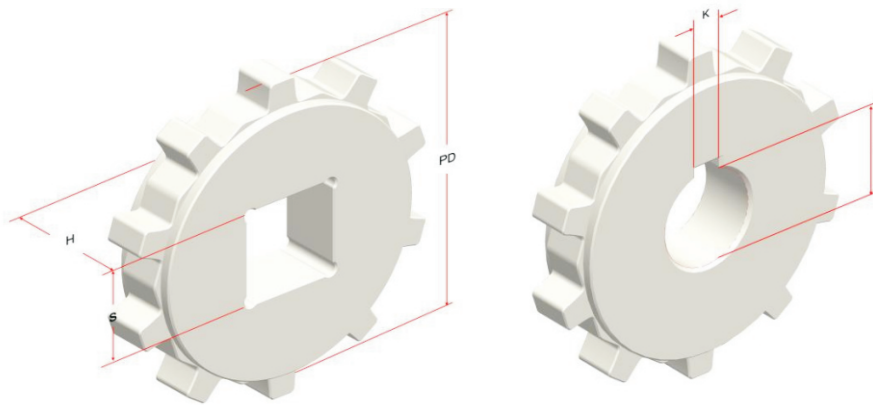
The above content is only for reference.



**Conveyor Frame Dimensions**

Unit : mm

No. Teeth	A ( Min.)	B ( Min.)	C ( Max.)	D ( Min.)	T
10	88.25	110.75	79.75	400	25
13	118	140.5	109.5	450	
15	141.5	164	133	500	



**Sprocket Dimensions**

Unit: mm

No. Teeth	PD	S	D	H	K
10	201.5	60.3/63.5/82.5	60.25	36	18x4
13	261	60.3/63.5/80.5/100.2	--	36	--
15	308	80.5/90.5	--	36	--

⌘ The above sprockets are standard, and it also can be customized according to customer's request, including the teeth number of sprocket and the size of square bore; the processing time is about 2 weeks.